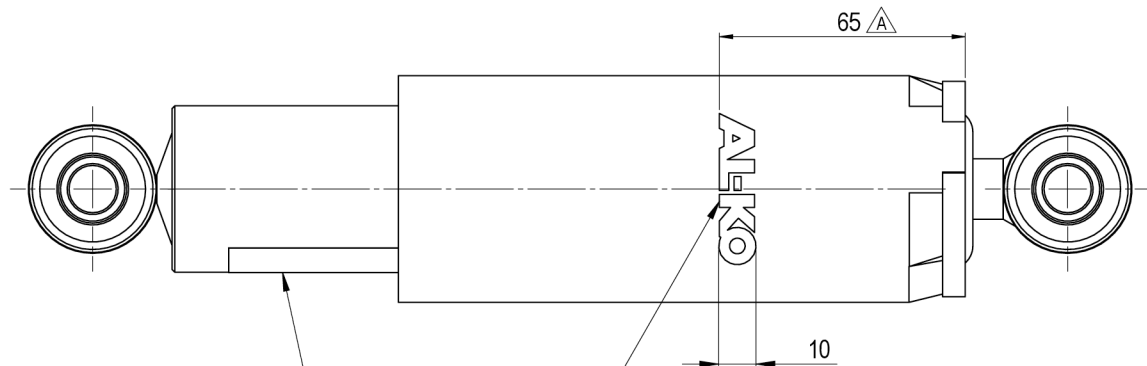
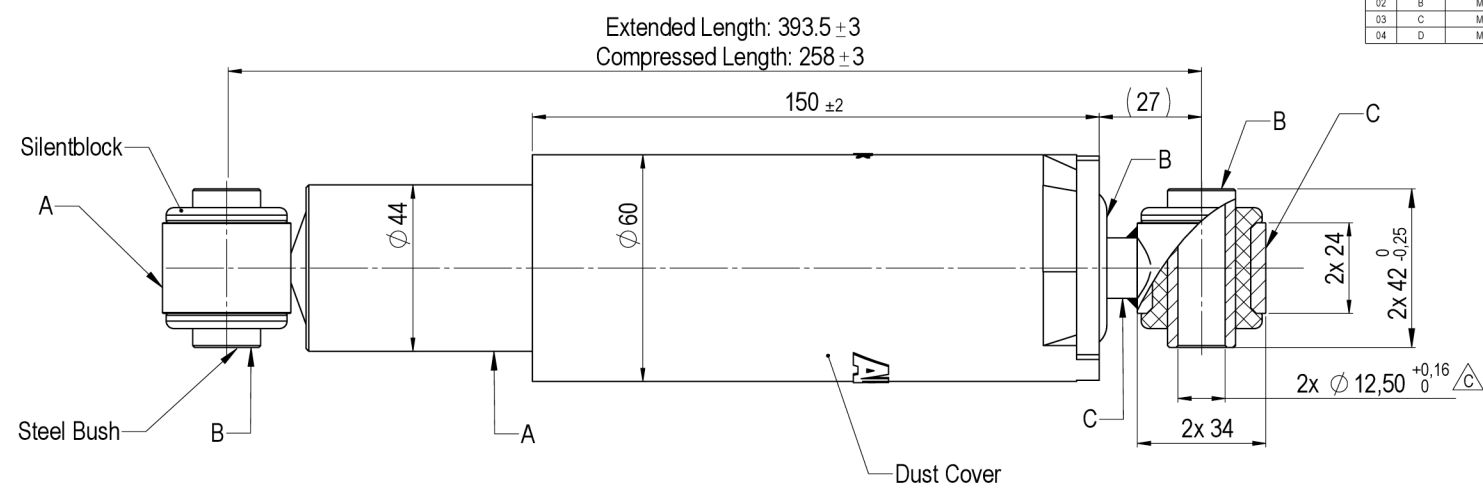


Schutzvermerk nach DIN ISO 16016 beachten!!!

Modifications				
Rev.	Symbol	Modification N°	Date	Name
01	A	M2582	28/07/2014	EH
02	B	M2672	19/01/2015	Jon
03	C	M2626	27/07/2015	AZ
04	D	M2867	20/10/2015	AZ



freigegeben



ausgegeben von: FENGLER 09.03.2021 08:36:18		
General Information		
Customer:		AL-KO
Application Vehicle:		AMC Axles
Conditions:		
Supply length:		extended $\triangle B$
Painting parts:		free of paint
Performance		
Operating/assembly conditions:		
Permitted working temperature:		-35°C ... +90°C
Working angle at ride height:		> 15°
Clamping torque:		75Nm
Design Specifications:		
Static load resistance:		Not suitable for stroke limitation
Working acc. to AL-KO Standard:		20060701
Working acc. to drawing:		0090 $\triangle B$
Protection against Corrosion		
Finish A: Painted acc. to AL-KO Standard:		20110704
Finish B: Fe/Zn12/C (Free Cr+6)		EN ISO 2081
Finish C: Cataphoresis (Black, RAL 9005)		10µm (min)
Visual Aspects:		
Outer tube, painted:		RAL 9011, black
Mount cover, PP:		RAL 5003 or similar, blue
Reference:		
According to AL-KO Standard:		20140402

Damping Characteristic @ 20°C ±3°C:

Velocity	[mm/s]	$\triangle D 52$	210
Rebound	[N]	630 850 410	1590 1270
Compression	[N]	2250 3040 1460	4390 5270 3510

This print is bound on a confidential basis subject to return upon demand by AL-KO and nothing herein may be reproduced, used or disclosed in whole or in part without the prior written permission of AL-KO.

ISO 8015	Metal acc. to ISO 2768 medium	Rubber acc. to DIN 7715 M3	Plastic acc. to DIN 16901	Scale: 1:1	Sheet format size: A2
Date: 16/04/2014				Weight (g): 1541.28	
Name: alko.zuazo				Finish:	
Description: Amt. H AMC 282251				Project N°: 4229	
Part No. / Revision: 1293889_04				Page 1 of 1	
Alternative Ref.: 282251				Ctra Durango-Elorrio, Nº25 48220 Abadiano, Spain	

